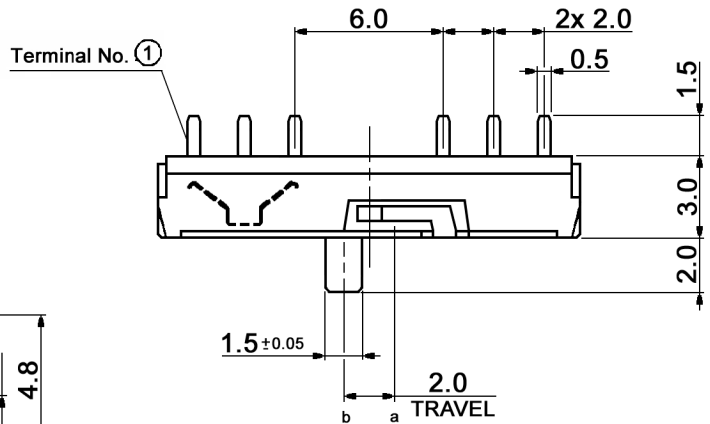
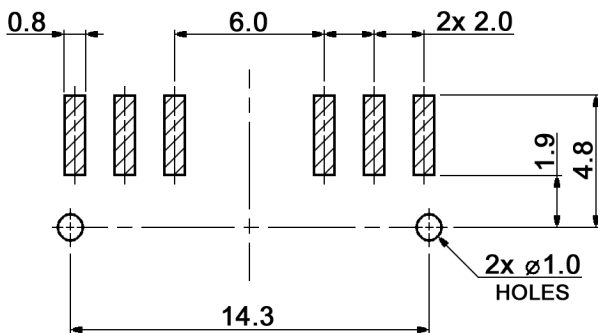
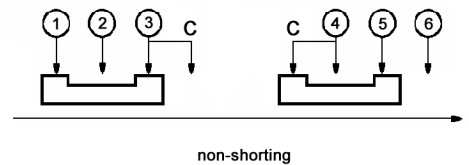


P.C. MOUNTING



CIRCUIT DIAGRAM
C: COMMON PIN
BOTTOM VIEW



Specifications:

- Contact rating: 6V DC; 0,5A
- Contact resistance: 70mOhm max.
- Insulation resistance: 100MOhm min. at 100V DC
- Dielectric strength: 100V AC, 50Hz for the duration of 1 minute
- Operating temperature: -40°C to +85°C
- Storage temperature: -40°C to +85°C
- Electrical life: 5 000 cycles
- Operating force: 130gf +/- 80gf
- Terminals: PBS, silver plated
- Soldering conditions: 75s > 225°C; max. 250°C
- Materials: Case: LCP
Contact: BeCu, silver plated
Slider: LCP
Cover: SUS

Compliance: RohS II (2011/65/EU)

Tolerances: up to 10: ±0.2mm above 10-50: ±0.3mm	Date	Name
	07/14	dr
Specifications	06/15	dr
Modifications	Date	Name

MMS 224

30 31 61

Page

1/1

knitter-switch